

3/4" RATCHET | E113817

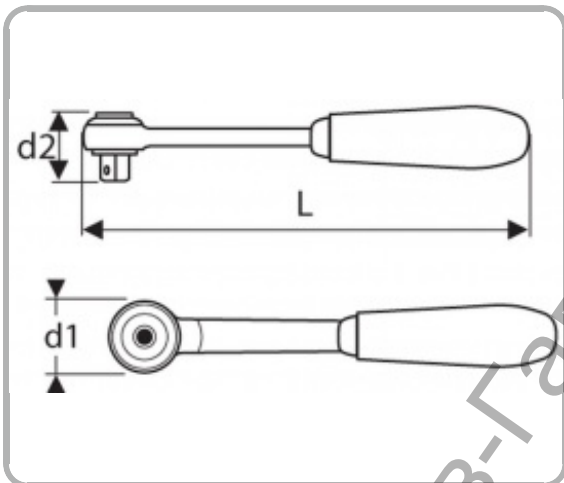


Description

- ISO 3315 - DIN 3122 - ISO 1174-1
- With a safety lock with sockets and accessories.
- 24 tooth mechanism.
- 15° increment.
- Matt Chrome finish.
- Chrome vanadium steel.
- Supplied without handle.

Information

EAN	3258951138175
d1 [mm]	63.4
d2 [mm]	59
L [mm]	155
Conditioning	1
[kg]	1,24



Ташев-Галвинг ООД
www.tashev-galving.com